



BS series pilot operated relief valves and SBS series solenoid operated relief valves can be used to control and unload system pressure. Both of valves use low noise design and have better stability in operation.

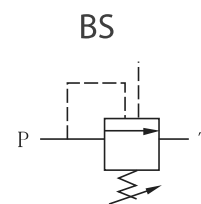
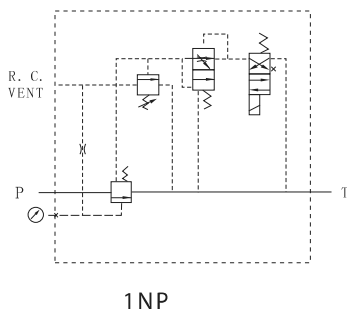
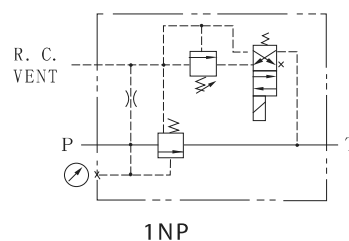
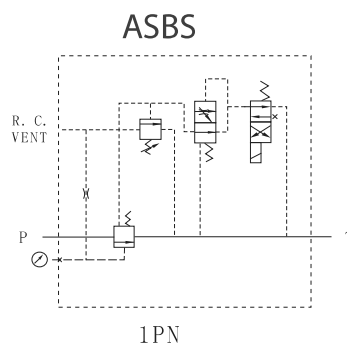
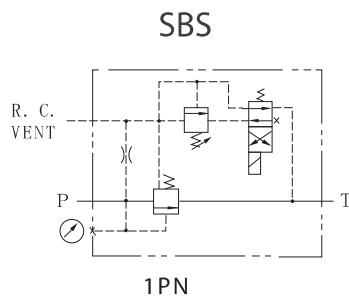
Technical specification

Model	BS-03	SBS-03	ASBS-03	BS-06	SBS-06	ASBS-06	BS-10	SBS-10	ASBS-10
Max.flow rate (l/min)	100			200			400		
Working pressure (MPa)	25								
Weight(kgs)	4.7	6.5	7.5	6	7.5	8.5	11.5	13	14.5

Ordering details

A	SBS	G	03	1PN	1	L	A240	10	30
Shockproof valve D	Sort	Mounting type	Nominal size	Normal state	Pressure adjustment range	Handwheel position	Input voltage	Connector type	Design code
No code: Omit A:With shockproof valve D	BS:Pilot operated relief valves SBS:Solenoid operated relief valves	Subplate mounting	03:NG10 06:NG20 10:NG30	1PN:Normal open 1NP:Normal closed	1:2~70bar 2:35~140bar 3:70~250bar	L:Left R:Right	D12:DC12 D24:DC24 A240:AC240 A220:AC220 A110:AC110 R240:RAC240 R220:RAC220 R110:RAC110	10:Wire box with light 20:Plug-in connector with light	30

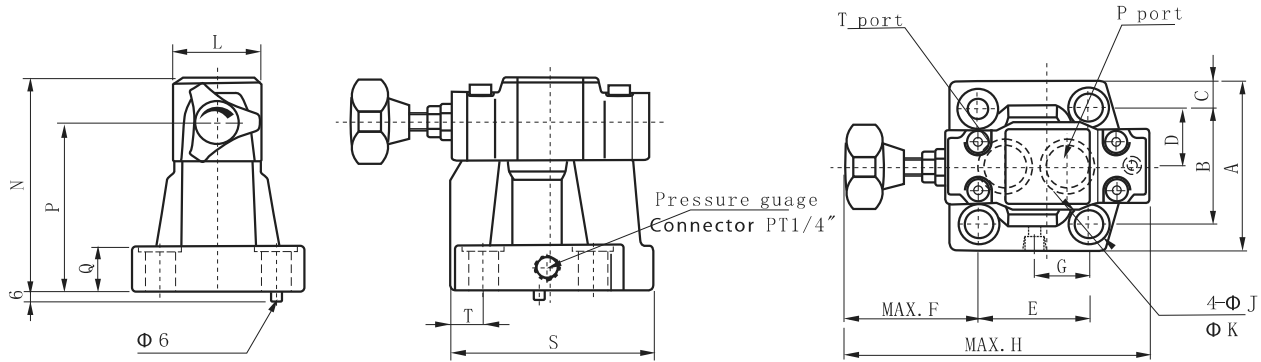
Symbol list



Dimensions

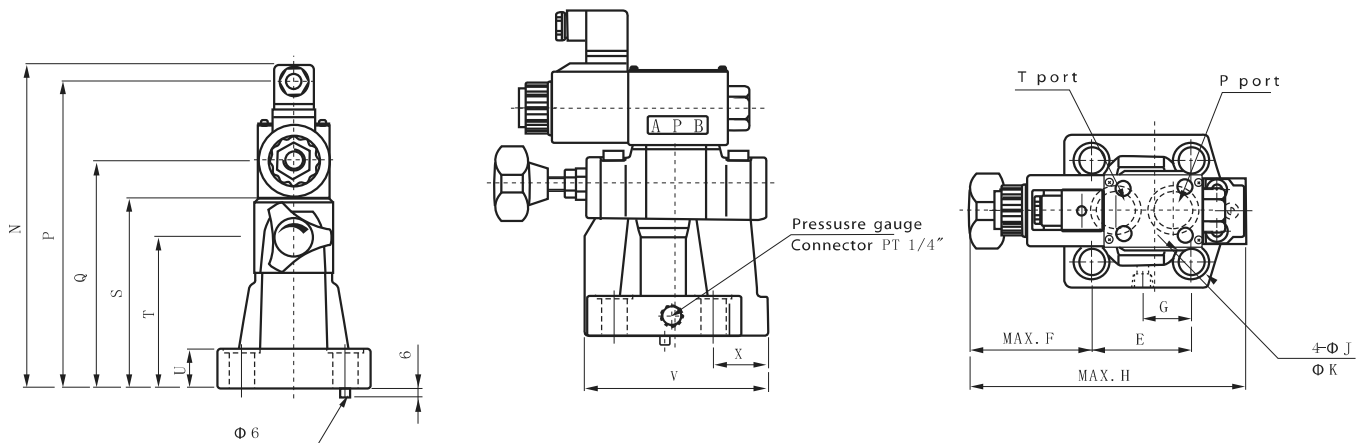
Unit: mm

BSG-03/06/10



Model	A	B	C	D	E	F	G	H	J	K	L	N	P	Q	S	T
BS-G03	76	53.8	11.1	26.9	53.8	113.5	22	171	13.5	21	51	132	104	22	106	26.1
BS-G06	104	70	17	35	66.7	98.8	27	171	17.5	25	51	132	104	27	123	19.3
BS-G10	120	82.6	18.7	41.3	88.9	89	33.5	219	21.5	32	65	167	135	33.5	155	21.1

SBSG-03/06/10

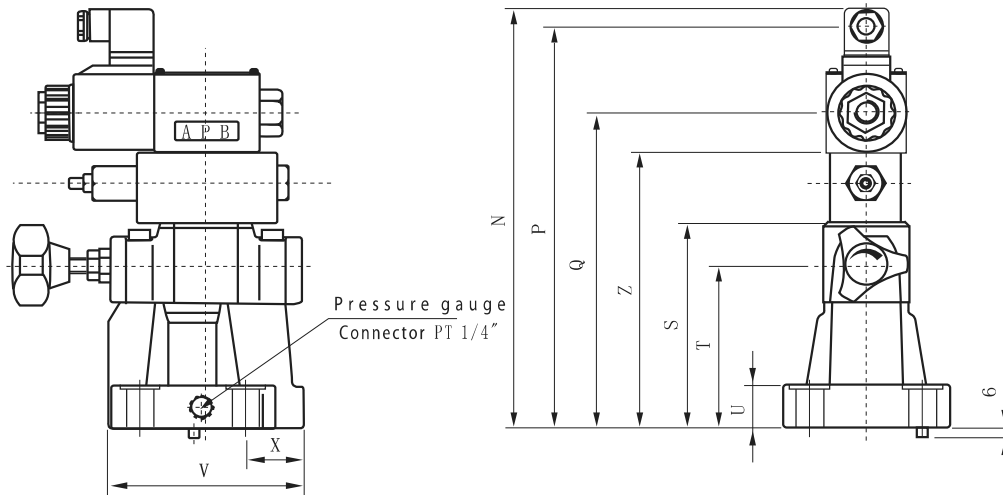


Model	A	B	C	D	E	F	G	H	J	K	L	N	P	Q	S	T	U	V	X
SBS-G03	76	53.8	11.1	26.9	53.8	113.5	27	171	13.5	21	48	220.5	206.8	157	132	104	22	106	26
SBS-G06	104	70	17	35	66.7	98.8	33.7	171	17.5	25	48	220.5	206.8	157	132	104	27	123	36.5
SBS-G10	120	82.6	18.7	41.3	88.9	100	44.9	182	21.5	25	65	247.5	237.5	191.5	167	135	33.5	155	47

Dimensions

Unit: mm

ASBSG-03/06/10



Model	Z	N	P	Q	S	T	U	V	X
A-SBS-G03	172	260.5	246.8	197	132	104	22	106	26
A-SBS-G06	172	260.5	246.8	197	132	104	27	123	36.5
A-SBS-G10	207	287.5	277.5	231.5	167	135	33.5	155	47

Mounting size

Unit: mm

BS/SBS/ASBS-03

BS/SBS/ASBS-06

BS/SBS/ASBS-10

