



DBD series direct relief valves are direct operated poppet type used to limit pressure in a hydraulic system. The design can be divided into poppet (Max.400bar) and ball (Max.630bar) type. There are 7 pressure adjustment ranges available 2.5 ; 5 ; 10 ; 20 ; 31.5 ; 40 ; 63 MPa. It has characteristics of compact structure, high performance, reliable work, low noise and long service life. These series are widely applied to many lower flow systems, can be also used as relief valve and remote control valve, etc.

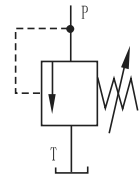
**Ordering details**

DBD	S	6			K	10	25	2	V	
Sort	Adjustment type	Nominal size			Mounting type	Series number	Pressure range	Thread type	Seals	
Direct operated relief valve	S:Adjustable screw with protective cap H:Handwheel A:Lockable handknob (only available for 6;8 and 10)	Mounting type	G	K	P	K: Cartridge mounting G: Thread mounting P: Subplate mounting	10: 10series (pressure range 25~400bar) 11: 11series (pressure range 630bar)	25: 25bar 50: 50bar 100: 100bar 200: 200bar 315: 315bar 400: 400bar 630: 630bar	No code: Inch thread 2: Metric thread	No code: NBR seals for petroleum oils V: FPM seals for phosphate ester
		6=	NG6	NG6	NG6					
		8=	NG8	---	---					
		10=	NG10	NG10	NG10					
		15=	NG15	---	---					
		20=	NG20	NG20	NG20					
		25=	NG25	---	---					
		30=	NG30	NG30	NG30					

**Technical specification**

Model	DBD-*6	DBD-*8	DBD-*10	DBD-*15	DBD-*20	DBD-*25	DBD-*30	
Max. flow rate (l/min)	35	60	80	150	200	250	300	
Working pressure (MPa)	31.5							
Weight (kgs)	K	0.4	---	0.5	---	1	---	2.2
	G, P	1.5	3.7	3.7	6.4	6.4	13.9	13.9

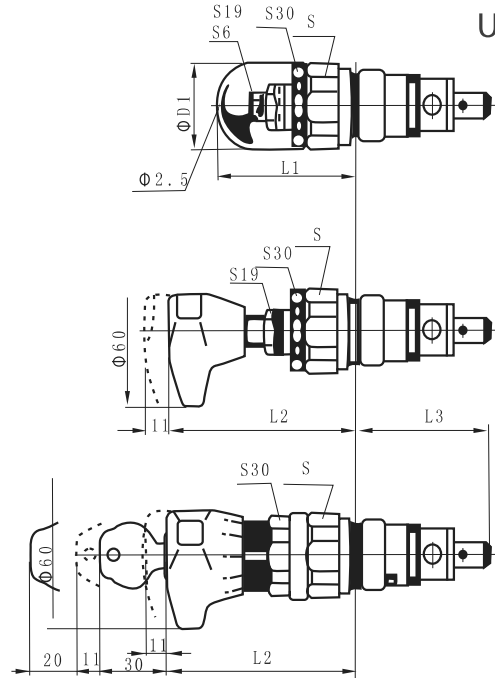
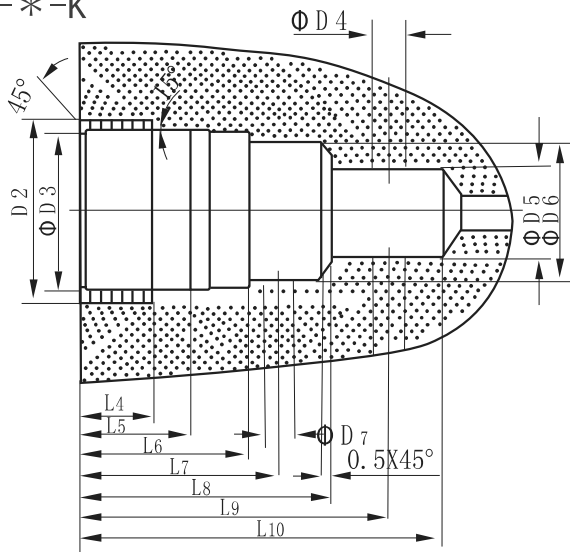
**Symbol**



Dimensions

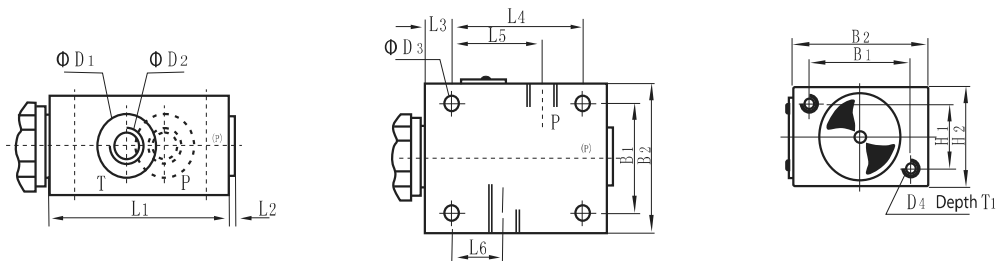
Unit: mm

DBD - \* - K



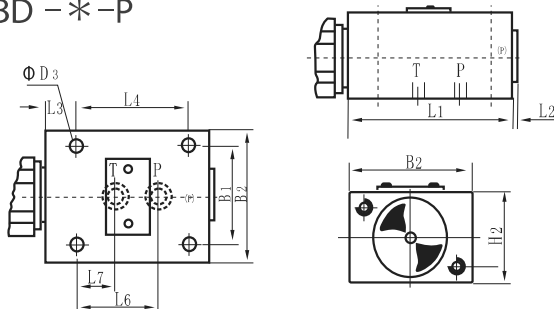
Size (mm)	Ø D1	D2	Ø D3H9	Ø D4	Ø D5	Ø D6H9	Ø D7	L1	L2	L3	L4	L5	L6	L7	L8	L9	L10	S
6	34	M28X1.5	25	6	15	24.9	6	72	83	64.5	15	19	30	35	45	56.55 ± .5	65	32
10	38	M35X1.5	32	10	18.5	31.9	10	68	79	75	18	23	35	41	52	67.57 ± .5	80	36
20	48	M45X1.5	40	20	24	39.9	20	65	77	106	21	27	45	54	70	91.58 ± .5	110	46
30	63	M60X2	55	30	38.75	54.9	30	83	-	131	23	29	45	60	84	113.51 ± 1.5	140	60

DBD - \* - G



Size	B1	B2	Ø D1	D2		Ø D3	D4	H1	H2	L1	L2	L3	L4	L5	L6	T1
				M	BSP											
6	45	60	25	M14X1.5	G1/4"	6.6	M6	25	40	80	4	15	55	40	20	10
(8) 10	60	80	(28) 34	(M18X1.5) M22X1.5	(G3/8") G1/2"	9	M8	40	60	100	4	20	70	49	21	20
(15) 20	70	100	(42) 47	(M27X2) M33X2	(G3/4") G1			50	70	135	(4) 5.5		100	65	34	
(25) 30	100	130	(56) 61	(M42X2) M48X2	(G1 1/4") G1 1/2"	11	M10	60	90	180	5.5	25	130	85	35	25

DBD - \* - P



Size	L7	L8	Subplate	Mounting screw
6	20	40	G300/1	M6X50-10.9
10	21	45	G302/1	M8X70-10.9
20	34	65	G304/1	M8X90-10.9
30	35	85	G306/1	M10X110-10.9