

DL4WE series solenoid serial mounting directional valves are solenoid operated directional spool valves, these valves are used to the start, stop and direct oil flow, they are thread type.



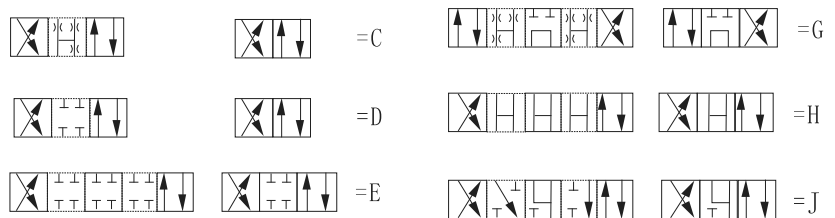
**Technical specification**

DL4WE	G1/4	E	G24	Z4L
Sort	Thread size	symbols	Input voltage	Connector type
Solenoid serial mounting directional valve	G1/4	See symbols list	G12:DC12 G24:DC24 W220:AC220 W110:AC110 W220R:RAC220 W110R:RAC110	Z4: Standart plug-in connector Z4L: Plug-in connector with light

**Ordering details**

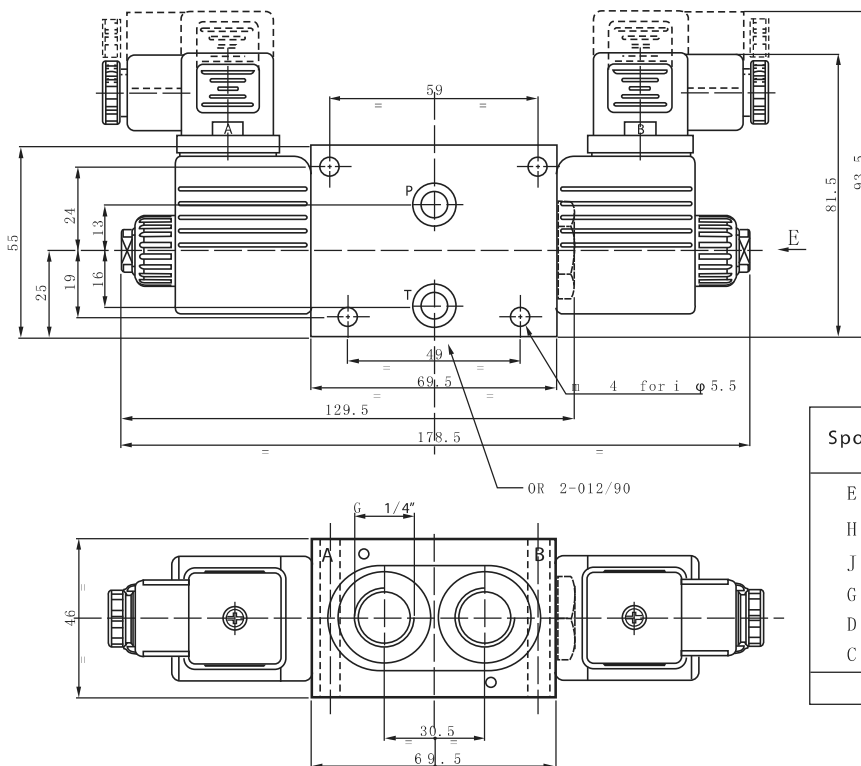
Model	DL4WE
Max.flow rate (l/min)	30
Working pressure (MPa)	A,B,P port 31.5
	T port 16
Weight (kgs)	2.2

**Symbol list**

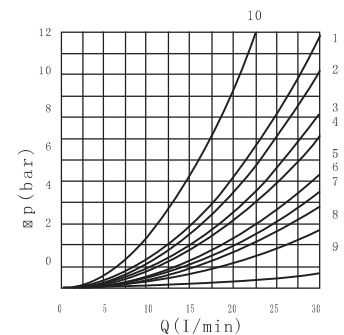


**Dimensions**

Unit: mm



**Pressure drop-flow curve**



Spool	Flow direction					
	P-->A	P->B	A->T	B->T	P->T	P-T passing
E	4	4	4	4	/	9
H	7	7	6	6	7	9
J	4	4	6	6	/	9
G	2	2	1	1	5	9
D	6	6	5	10	/	9
C	6	6	10	5	/	9

Curve code