

DSG series directional control valves are solenoid operated directional spool valves, these valves are used to the start, stop and direct oil flow.



Technical specification

Model		DSG-02	DSG-02-*-M	DSG-03	DSG-03-*-M
Max. flow rate (l/min)		63	40	120	80
Working pressure (MPa)		A,B,P port 31.5	A,B,P port 21	A,B,P port 31.5	A,B,P port 21
		T port 16	T port 14	T port 16	T port 16
Weight (kgs)	Single solenoid	Plug-in connector: 1.5 Wire box: 1.8		Plug-in connector: 4.8 Wire box: 5.2	
	double solenoids	Plug-in connector: 2.2 Wire box: 2.5		Plug-in connector: 6.1 Wire box: 6.5	

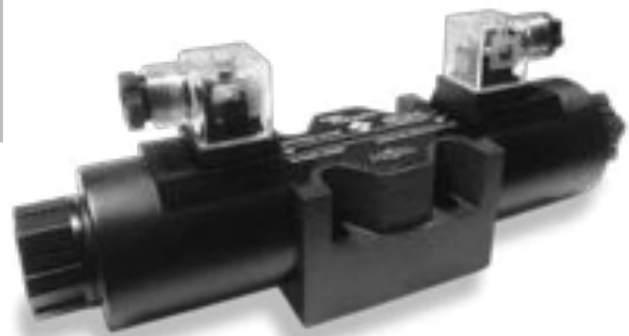
Ordering details

DS	L	G	02	3C2	A240	LW	LS	M
Sort	Low watt	Mounting type	Nominal size	symbols	Input voltage	Connector type	Additional function	Other series
4/3 and 4/2 Solenoid operated directional valve	No code: Standard L: Low watt	Subplate mounting	02: NG6 Cetop3 03: NG10 Cetop5	See symbol list	See voltage list	LW: Wire box with light DL: Plug-in connector with light	No code: Standard LS: With the function of low impact	No code: Standard M: Shock absorption

Symbol list

Voltage list

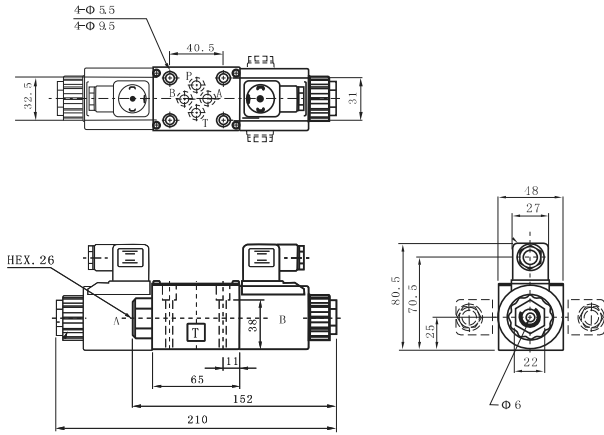
A240	AC240/60HZ, AC220/50HZ
A220	AC220/60HZ, AC220/50HZ
A120	AC120/60HZ, AC110/50HZ
A110	AC110/60HZ, AC100/50HZ
R240	AC240/60HZ, AC220/50HZ
R220	AC220/60HZ, AC220/50HZ
R120	AC120/60HZ, AC110/50HZ
R110	AC110/60HZ, AC100/50HZ
D24	DC24
D12	DC12



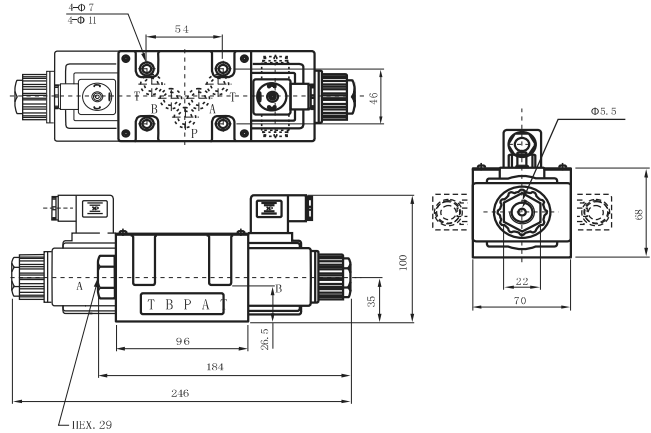
Dimensions

Unit: mm

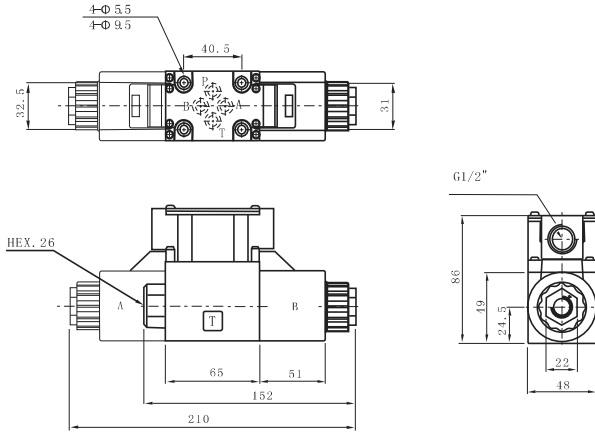
DSG-02- *-DL



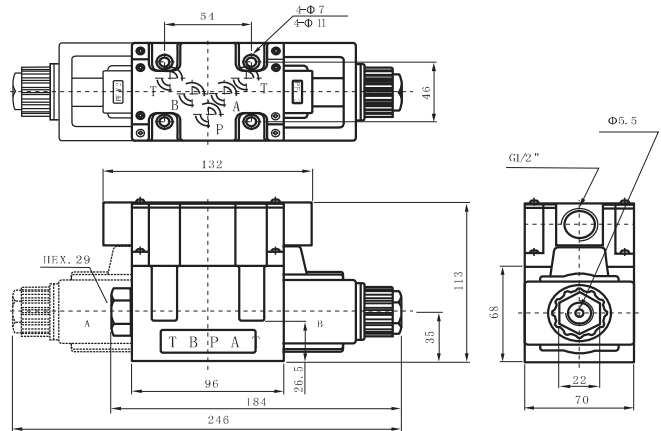
DSG-03- *-DL



DSG-02- *-LW

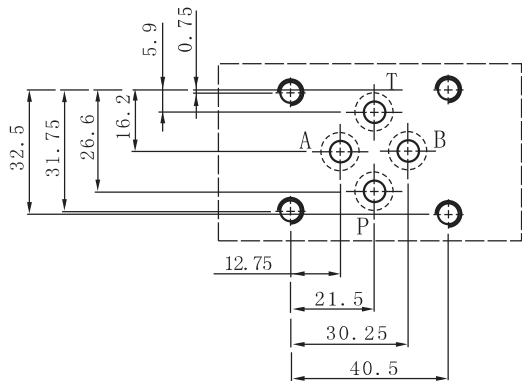


DSG-03- *-LW



Mounting dimensions

DSG-02



DSG-03

