



DSHG series solenoid pilot operated directional valves are solenoid pilot operated spool type valves. This series are used to control the start, stop and direction of flow. DHG series hydraulic operated directional valves can be used to change the direction of hydraulic oil by moving the main spool when the valve receives a hydraulic signal from the pilot hydraulic oil.

**Technical specification**

Model		DSHG-04	DSHG-06	DSHG-10
Max. flow rate (l/min)		300	500	1100
Working pressure (MPa)	A,B,P port	31.5		
	T port	External drain	25	
		Internal drain	16(DC) 10(AC)	
	Y port	External control	16(DC) 10(AC)	
Max. operating pressure (MPa)		25		
Weight (kgs)	Pilot valve with single solenoid	Plug-in connector:1.5 Wire box: 1.8		
	Pilot valve with double solenoids	Plug-in connector:2.2 Wire box: 2.5		
	DHG valve	7.3	16.5	39.5

**Ordering details**

DSH	G	06	3C2	ET	A240	LW	AB	K
Sort	Mounting type	Nominal size	symbols	Oil control	Input voltage	Connector type	Stroke adjustment	Additional knob
DSH: Solenoid pilot operated directional valve DH: Hydraulic operated directional valve	Subplate mounting	04:NG16 Cetop7 06:NG25 Cetop8 10:NG32 Cetop10	See symbols list	See oil control list	See voltage list	LW: Wire box with light DL: Plug-in connector with light	No code: Standard AB: Both sides A: A side B: B side	No code: Omit K: With knob

**Voltage list**

A240	AC240/60HZ, AC220/50HZ
A220	AC220/60HZ, AC220/50HZ
A120	AC120/60HZ, AC110/50HZ
A110	AC110/60HZ, AC100/50HZ
R240	AC240/60HZ, AC220/50HZ
R220	AC220/60HZ, AC220/50HZ
R120	AC120/60HZ, AC110/50HZ
R110	AC110/60HZ, AC100/50HZ
D24	DC24
D12	DC12

**Oil control list**

No code	Internal control internal drain
E	External control internal drain
T	Internal control external drain
ET	External control external drain



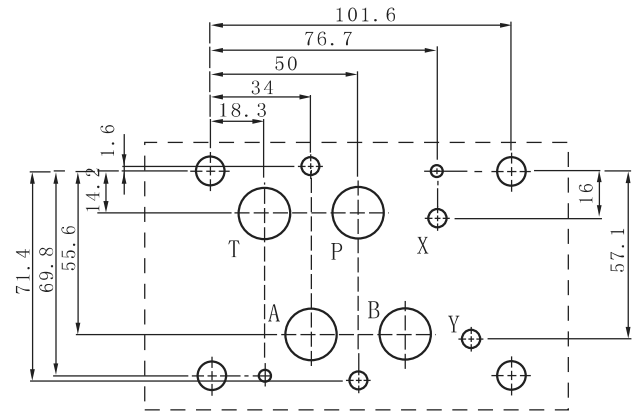
Symbols list

3C3 PT	2B3B PT	2B3BL PT	2B3 PT	2B3L PT
3C2 PT	2B2B PT	2B2BL PT	2B2 PT	2B2L PT
3C12 PT	2B12B PT	2B12BL PT	2B8 PT	2B8L PT
3C4 PT	2B4B PT	2B4BL PT	2B12A PT	2B12AL PT
3C9 PT	2B9B PT	2B9BL PT	2B2A PT	2B2AL PT
3C5 PT	2B5B PT	2B5BL PT	2B3A PT	2B3AL PT
3C60 PT	2B60B PT	2B60BL PT	2D3 PT	2D8 PT
3C25 PT	2B25B PT	2B25BL PT	2D2 PT	
3C10 PT	2B10B PT	2B10BL PT		
3C40 PT	2B40B PT	2B40BL PT		
3C11 PT	2B11B PT	2B11BL PT		

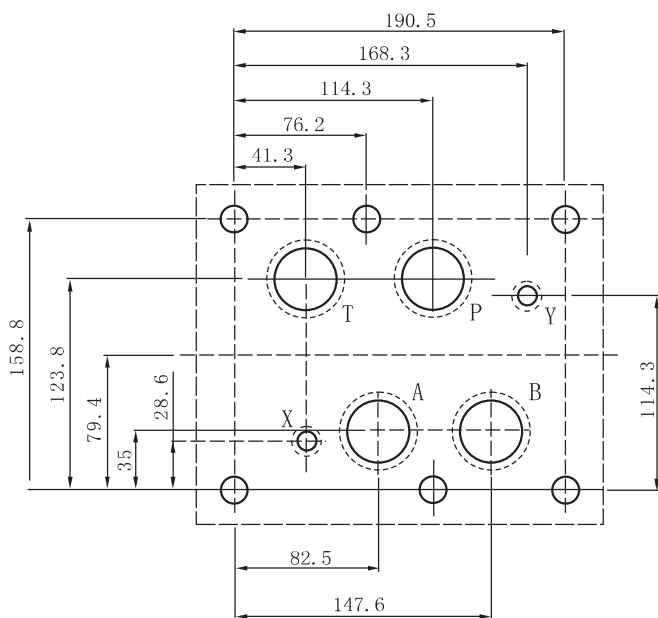
Mounting dimensions

Unit: mm

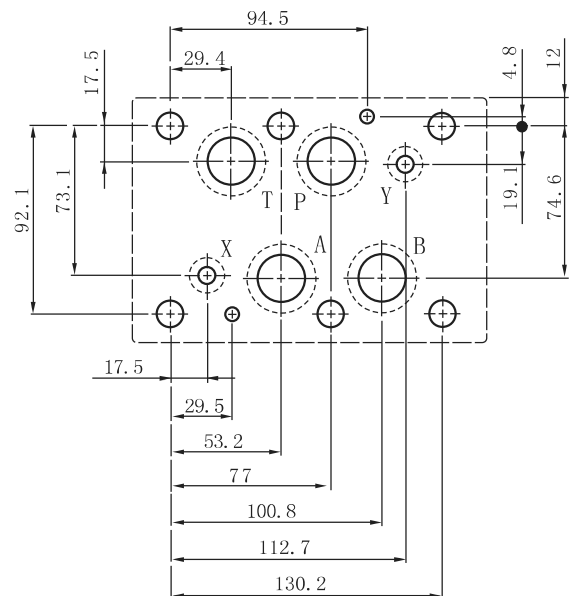
DSHG-04



DSHG-10



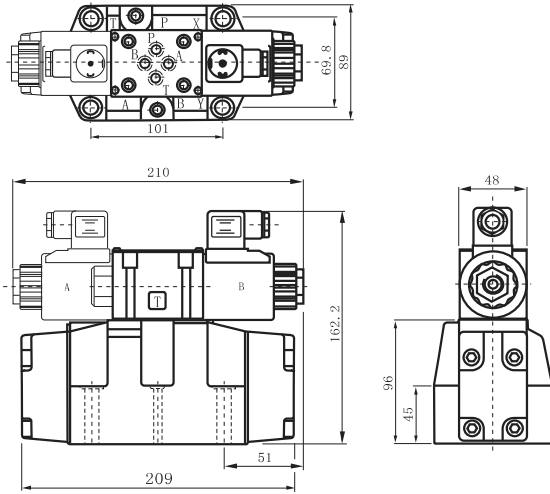
DSHG-06



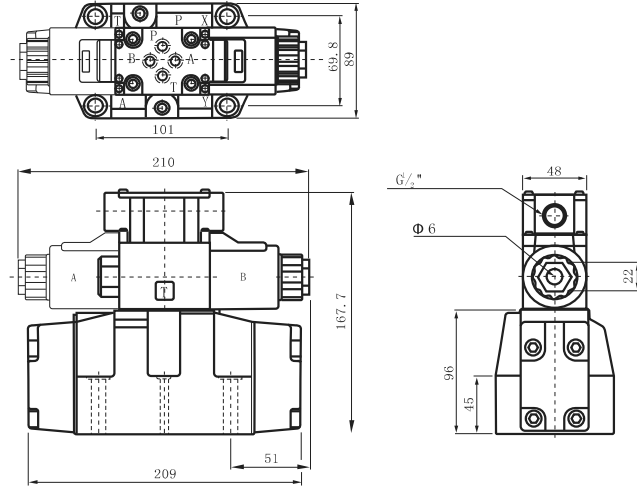
Dimensions

Unit: mm

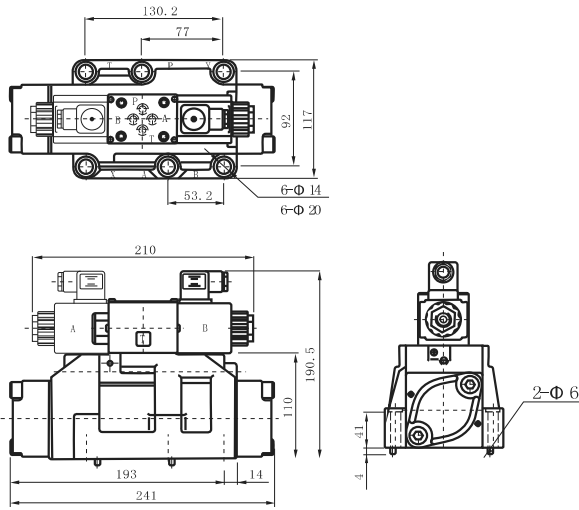
DSHG-04- \* -DL



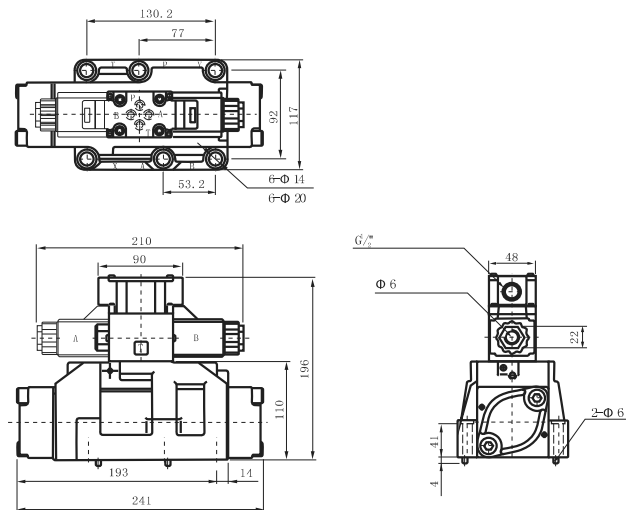
DSHG-04- \* -LW



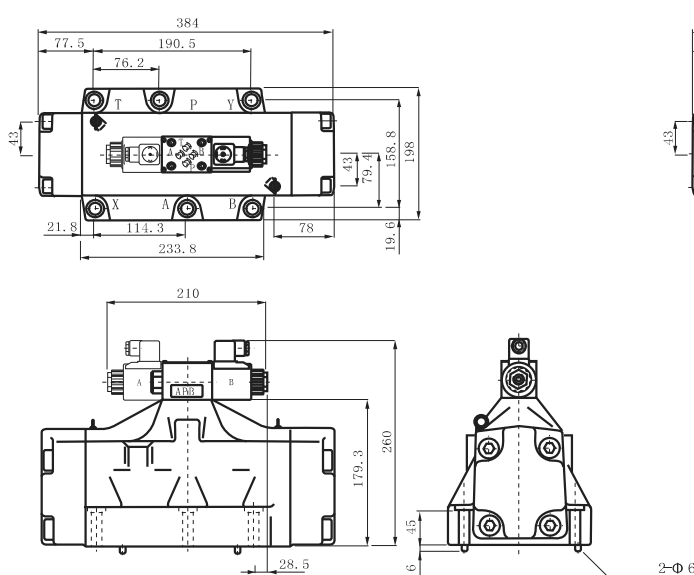
DSHG-06- \* -DL



DSHG-06- \* -LW



DSHG-10- \* -DL



DSHG-10- \* -LW

