

DV/DRV series throttle valves/ throttle check valves are used to regulate the speed of actuators simply and precisely.



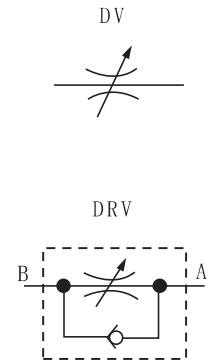
**Ordering details**

DRV	P	6	a	2
Sort	Mounting type	Nominal size	Cracking pressure	Thread type
DV:Throttle valve DRV:Throttle check valve	No code:threaded mounting P:Subplate mounting	6:NG6 8:NG8 10:NG10 12:NG12 16:NG16 20:NG20 25:NG25 30:NG30 40:NG40	a:0.4bar b: 4bar	No code:Inch thread 2:Metric thread

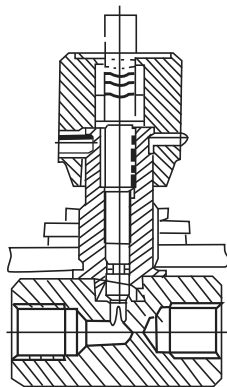
**Technical specification**

Nominal size	6	8	10	12	16	20	25	30	40	
Rated flow (l/min)	20	60	75	140	175	200	300	400	500	
Working pressure (MPa)	35									
Weight(kgs)	DV	0.12	0.25	0.4	0.7	1.2	2.1	2.8	3.5	---
	DVP	0.25	0.45	0.75	1	2.4	3.6	6	10.9	---
	DRV	0.13	0.3	0.45	0.8	1.3	2.4	3.5	4.6	7.7
	DRVP	0.26	0.5	0.8	1.1	2.5	3.9	6.7	11	17.5

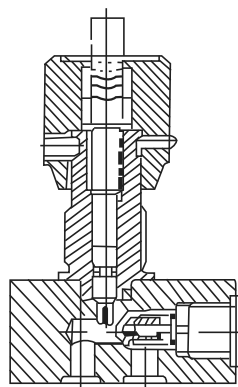
**Symbol**



**Structure chart**



DV / DRV



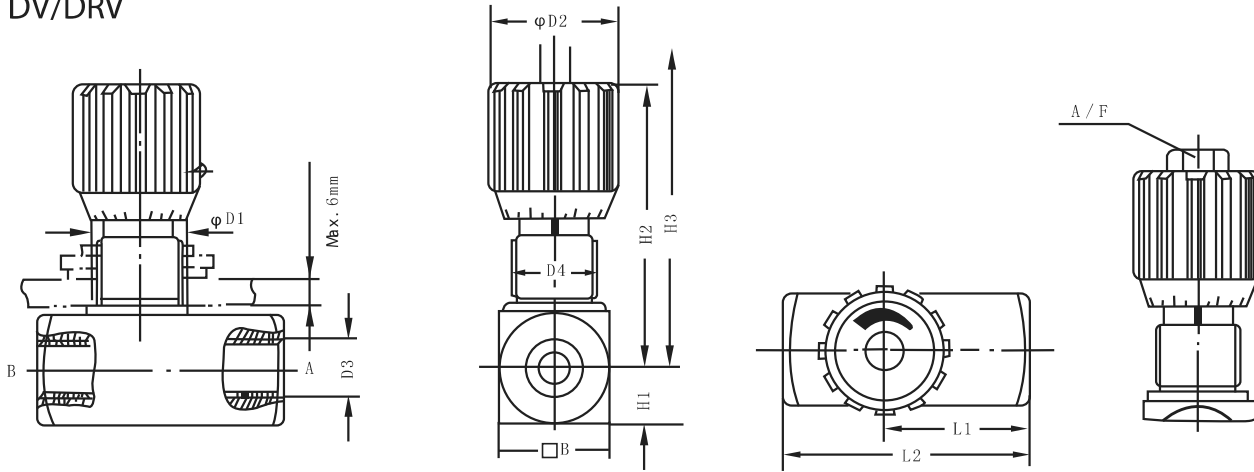
DVP/DRV P



Dimensions

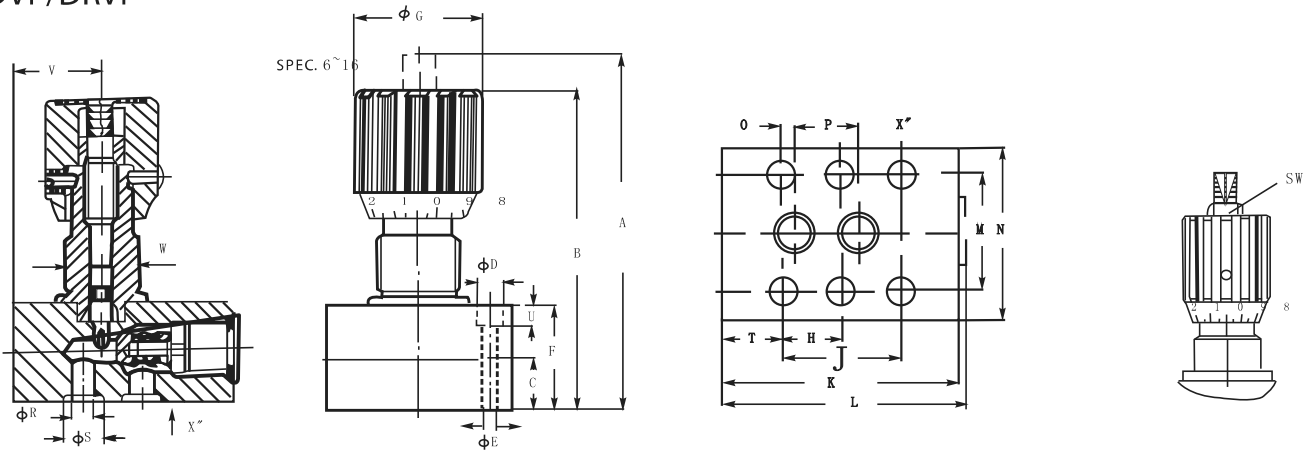
Unit: mm

DV/DRV



Nominal size	B	φ D1	φ D2	D3		D4	H1	H2	H3	L1		L2		A/F
				G1/8	M101					DV	DRV	DV	DRV	
6	15	16	24	G1/8	M101	M121.25	8	50	55	19	26	38	45	
8	25	19	29	G1/4	M14×1.5	M18×1.5	12.5	65	72	24	33.5	48	45	
10	30	19	29	G3/8	M15×1.5	M18×1.5	15	67	74	29	41	58	65	
12	35	23	38	G1/2	M22×1.5	M22×1.5	17.5	82	92	34	44	68	73	
16	45	23	38	G3/4	M27×2	M22×1.5	22.5	96	106	39	57	78	88	
20	50	38	49	G1	M33×2	M33×1.5	25	128	145	54	77	108	127	19
25	60	38	49	G1 1/4	M42×2	M33×1.5	30	133	150	54	93	108	143	19
30	70	38	49	G1 1/2	M48×2	M33×1.5	35	138	155	54	108	108	143	19
40	90	38	49	G2		M33×1.5	45	148	165		130		165	19

DVP/DRV



Nominal size	A	B	C	D	E	F	G	H	J	K	L	M	N	O	P	R	S	T	U	V	W	SW	
6	63	58	8	11	6.6	16	24	-	19	41.5	43	28.5	41.5	1.6	16	5	9.8	6.4	7	13.5	M12	1.25	-
8	79	72	10	11	6.6	20	29	-	35	63.5	65	33.5	46	4.5	25.5	7	12.7	14.2	7	31	M18×1.5	-	-
10	84	77	12.5	11	6.6	25	29	-	33.5	70	72	38	51	4	25.5	10	15.7	18	7	29.5	M18×1.5	-	-
12	106	96	16	11	6.6	32	38	-	38	80	84	44.5	57.5	4	30	13	18.7	21	7	36.5	M22×1.5	-	-
16	128	118	22.5	14	9	45	38	38	76	104	107	54	70	11.4	54	17	24.5	14	9	49	M22×1.5	-	-
20	170	153	25	14	9	50	49	47.5	95	127	131	60	76.5	19	57	22	30.5	16	9	49	M33×1.5	19	19
25	175	150	27.5	18	11	55	49	60	120	165	169	76	100	20.6	79.5	28.5	37.5	15	11	77	M33×1.5	19	19
30	195	170	37.5	20	14	75	49	71.5	143	186	190	92	115	23.8	95	35	43.5	15	13	85	M33×1.5	19	19
40	220	203	50	20	14	100	49	67	133.5	192	196	111	140	25.5	89	47.5	57.5	16	13	64	M33×1.5	19	19