

EBG series proportional pilot operated relief valves can change system pressure continuously by electrical input signal with safety valve.



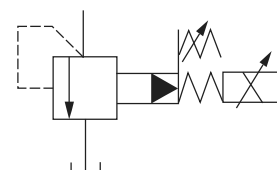
Ordering details

ED	G	01	2	L	10
Sort	Mounting type	Nominal size	Pressure adjustment range	Handwheel position	Design code
Proportional pilot operated relief valve	G:Subplate mounting	03:NG10 06:NG20	2:2~160bar 3:3~250bar	L:Left R:Right	10

Technical specification

Model	EBG-03		EBG-06	
Max. working pressure (MPa)	25		25	
Max. flow rate (l/min)	100		200	
Pressure adjustment range (bar)	2~160	3~250	2~160	3~250
Rated current (mA)	700	820	750	800
Coil resistance (Ω)	10		10	
Hysteresis	<2%		<2%	
Repeatability	1%		1%	
Weight(kgs)	5.6		6.3	

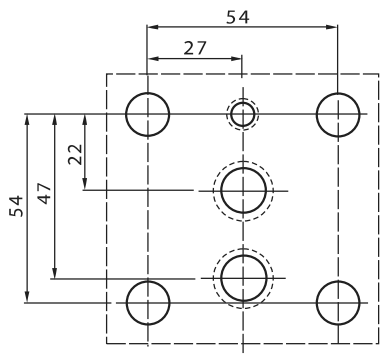
Symbol



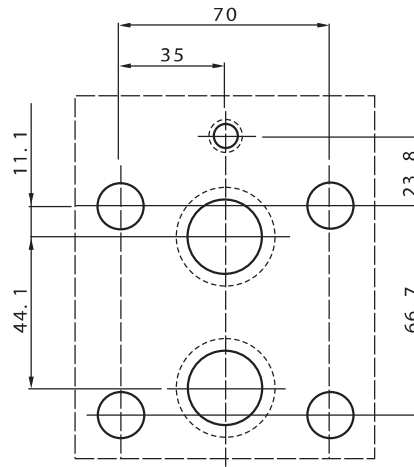
Mounting size

Unit: mm

EBG-03

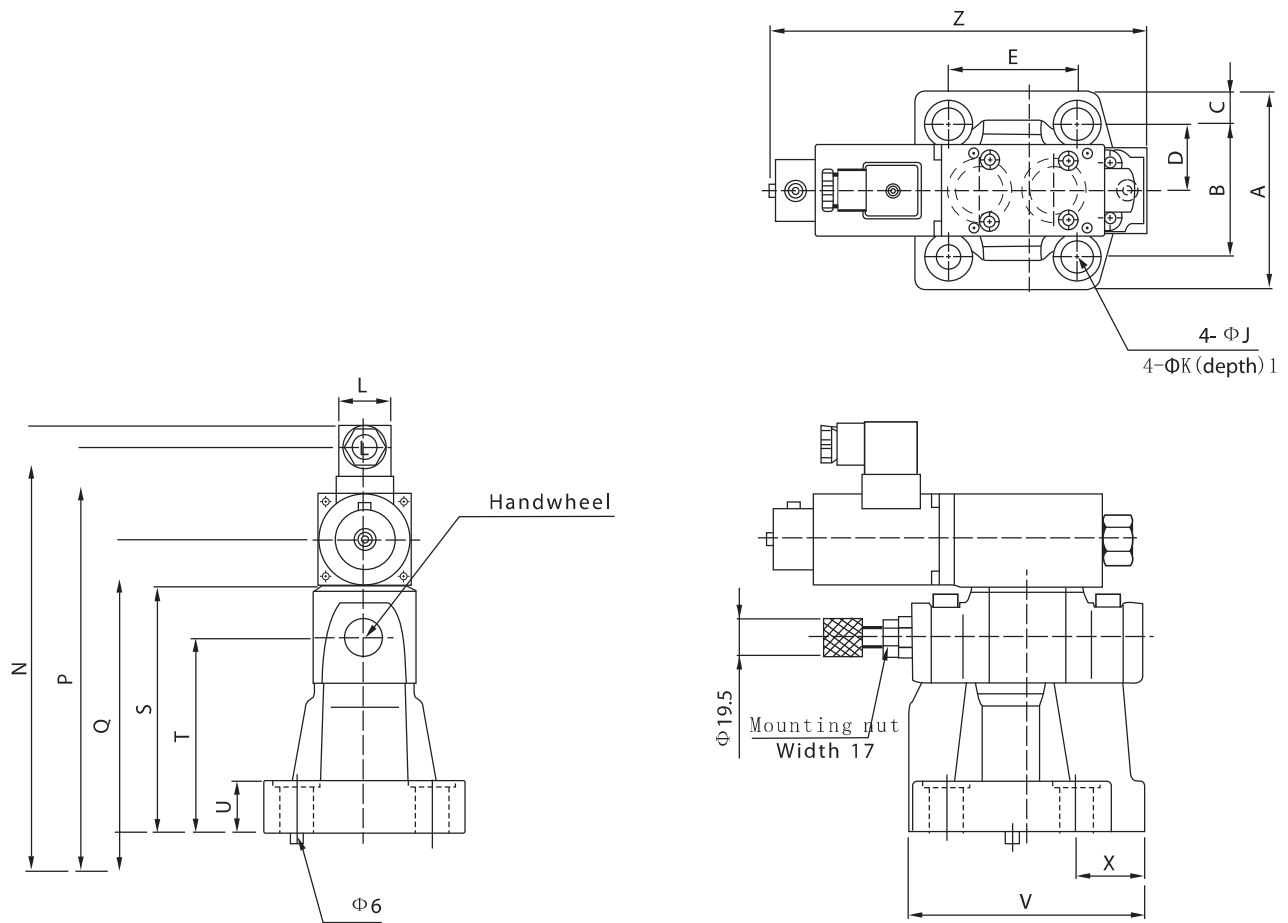


EBG-06



Dimensions

Unit: mm



Model	A	B	C	D	E	J	K	L	N	P	Q	S	T	U	V	X	Z
EB-G03	76	53.8	11.1	26.9	53.8	13.5	21	48	220.5	206.8	157	132	104	22	106	26	197
EB-G06	104	70	17	35	66.7	17.5	25	48	220.5	206.8	157	132	104	27	123	36.5	197