

KVH series solenoid serial mounting directional valves are solenoid operated directional spool valves, these valves are used to the start, stop and direct oil flow, they are thread type.



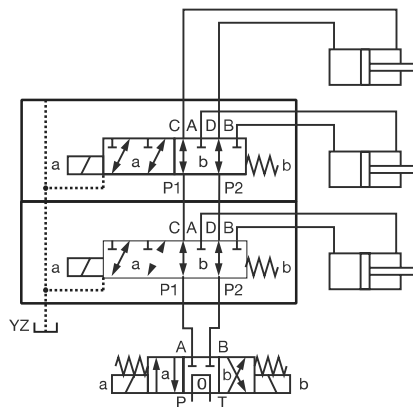
Technical specification

KVH	G3/8	G24	Z4L
Sort	Thread size	Input voltage	Connector type
Solenoid serial mounting directional valve	G3/8"	G12:DC12 G24:DC24 W220:AC220 W110:AC110 W220R:RAC220 W110R:RAC110	Z4: Standart plug-in connector Z4L: Plug-in connector with light

Ordering details

Model	KVH
Max.flow rate (l/min)	50
Working pressure (MPa)	25
Weight (kgs)	2.5

Symbol list



Dimensions

Unit: mm

