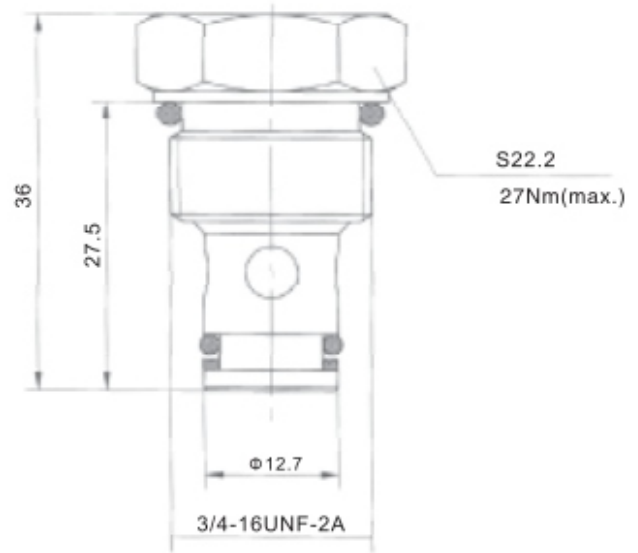


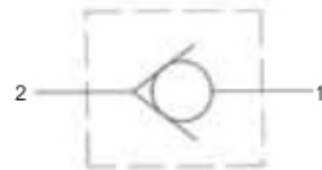
LCV06-02-00



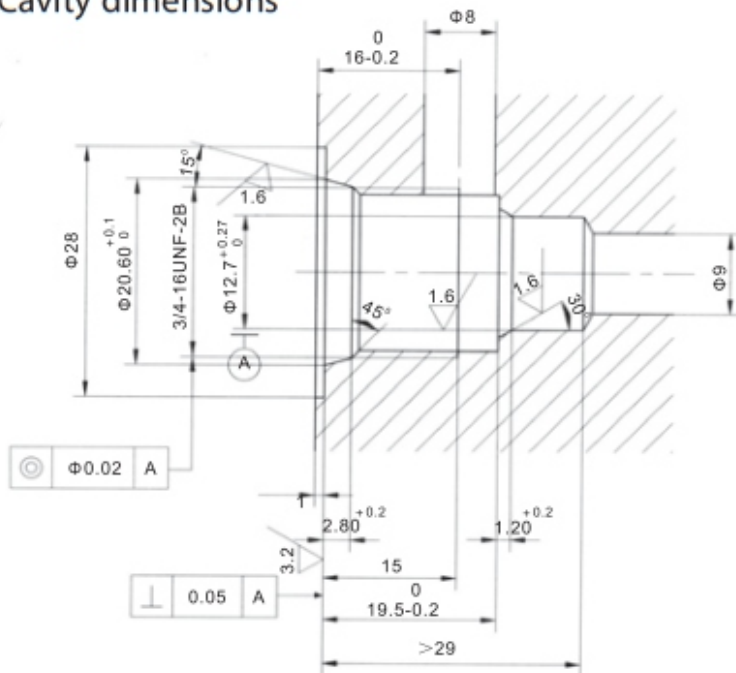
Technical specification

- Max. working pressure: 315bar
- Max. flow rate: See pressure drop-flow curve
- Internal leakage: ≤5 drops/min
- Cracking pressure: 0.3bar/0.6bar/1.6bar  
5.5bar/7bar/15.4bar
- Operating temperature: -30~+110°C
- Oil cleanliness: 25u m or better

Symbol



Cavity dimensions



Pressure drop-flow curve

32 cST Oil/45°C  
2 — 1 —

