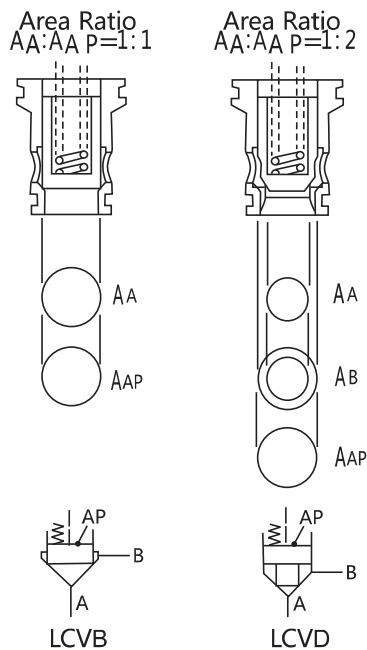
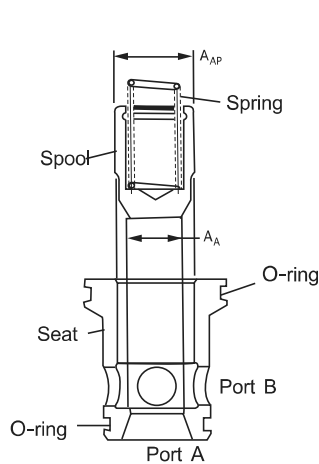




Ordering details

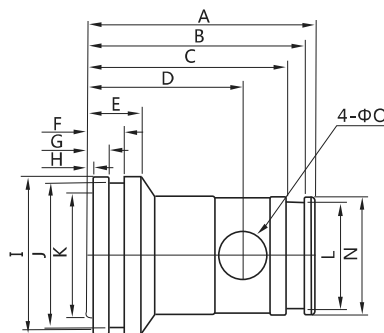
LCV	B	32	05
Sort	Spool type	Nominal size	Cracking pressure
LCV:Logical valve	B:Pressure model D:Directional model	16:NG16 130l/min 25:NG25 350l/min 32:NG32 500l/min 40:NG40 850l/min 50:NG50 1400l/min 63:NG63 2100l/min	05:0.5bar 20: 2bar 50:5bar

Structure chart



A = Oil port
 B = Oil port
 AA = Port A effective area
 AB = Port B effective area
 (circular part)
 AAP=effective area of piston external diameter

Dimensions



Unit: mm

Nominal size	A	B	C	D	E	F	G	H	I	J	K	L	N	O
16	56	52	46.5	37	16	10.5	7	2.4	32	29.2	23.7	22.2	25	10
25	72	69	62.6	43	16	13.5	8.8	1.8	45	40.8	37	29.8	34	14
32	85	81	74.6	58	20	13.6	8	2.4	60	55	47.5	40.8	45	18
40	105	97	90.6	66.5	24	15.6	10	2.4	75	70	62	50.8	55	23.5
50	122	114	107.6	83	20	14.6	9	2.4	90	85	76.8	63.8	68	28
63	155	145.5	134	115	27	21	12	4.6	120	110	94	80	90	25