



MPCV series modular pilot operated check valves are pilot operated style sandwich valves. These valves used to close one or two oil ports.

Ordering details

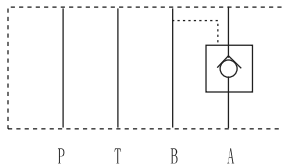
MPCV	02	A	05	20
Sort	Nominal size	Pilot oil port	Cracking pressure	Design code
Modular pilot operated check valve	02:NG6 Cetop3 03:NG10 Cetop5 04:NG16 Cetop7 06:NG22 Cetop8	A:A port B:B port W:A&B port	05:0.35bar 50:3.5bar	20

Technical specification

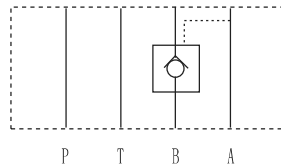
Model	MPCV-02	MPCV-03	MPCV-04	MPCV-06
Max.flow rate (l/min)	35	70	200	450
Working pressure (MPa)	25			
Weight(kgs)	1.1	2.6	5.5	12.5



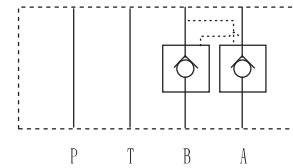
Symbol list



MPCV-02A



MPCV-02B

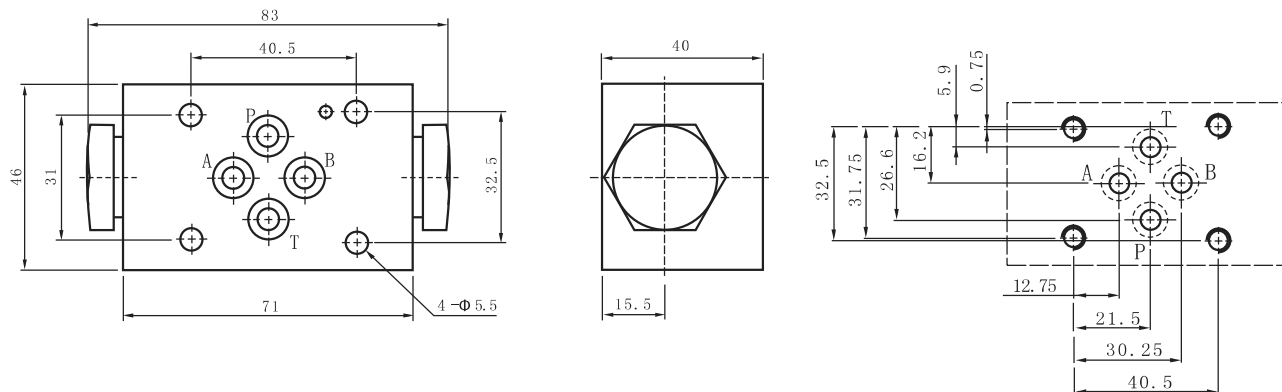


MPCV-02W

Dimensions

Unit: mm

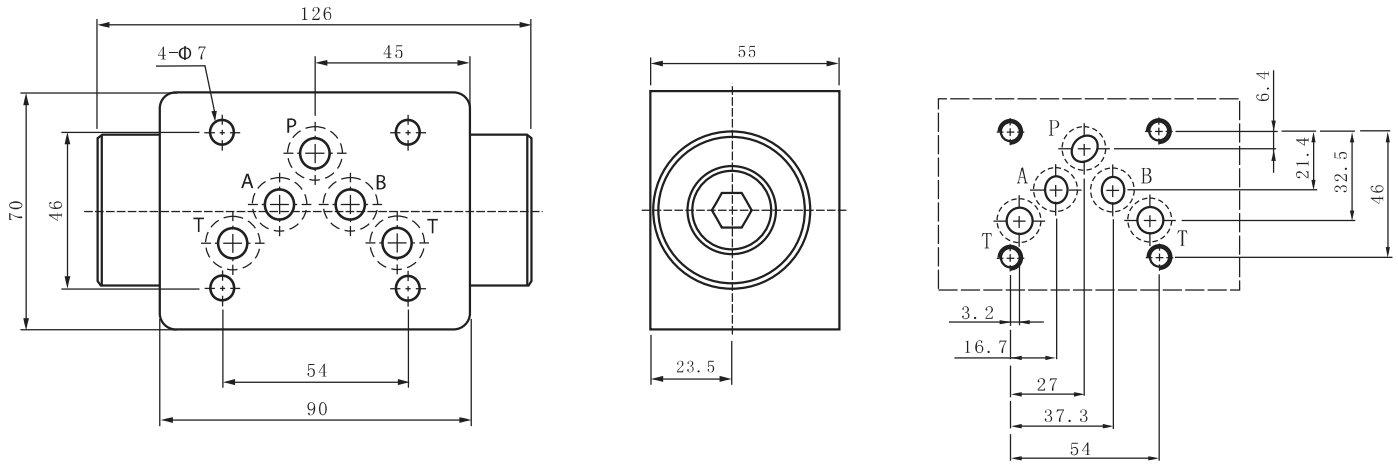
MPCV-02



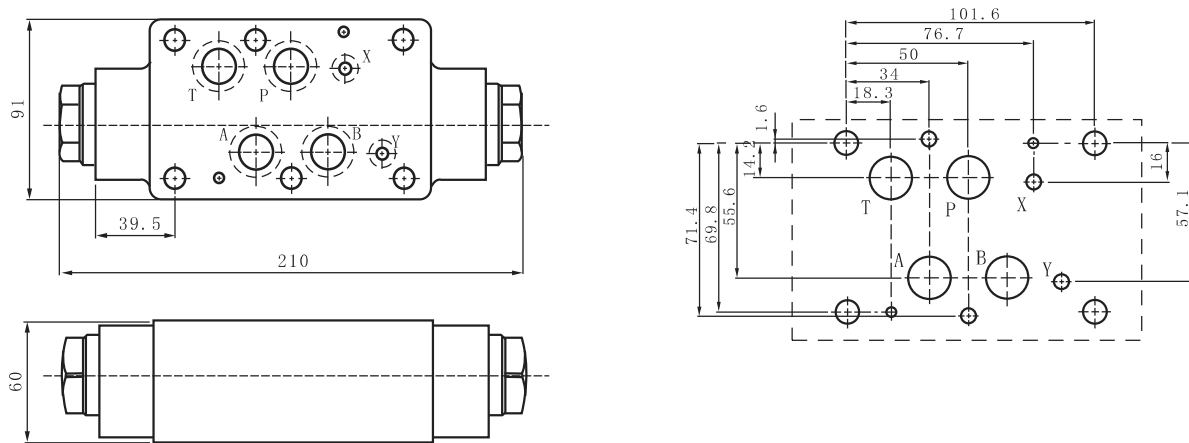
Dimensions

Unit: mm

MPCV-03



MPCV-04



MPCV-06

