

MRV series modular relief valves can control flow for positive direction pass oil port. Flow can be adjusted by handle. It passes to check valve for reverse flow.

Ordering details



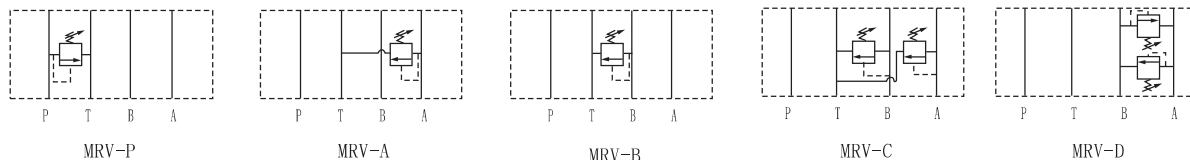
MRV	02	P	K	1	20
Sort	Nominal size	Relief form	Adjustment type	Pressure adjustment range	Design code
Modular relief valve	02:NG6 Cetop3 03:NG10 Cetop5 04:NG16 Cetop7 06:NG22 Cetop8	P:P→T A:A→T B:B→T C:A→T B→T D:A→B B→A	No code: Without knob K: With plastic knob	1:8~70bar 2:35~140bar 3:70~250bar	20

Technical specification

Model	MRV-02	MRV-03	MRV-04	MRV-06	
Max.flow rate (l/min)	35	70	200	450	
Working pressure (MPa)	25				
Weight(kgs)	A, B, P	1.5	3.3	6	12.2
	C, D	1.7	3.7	---	---



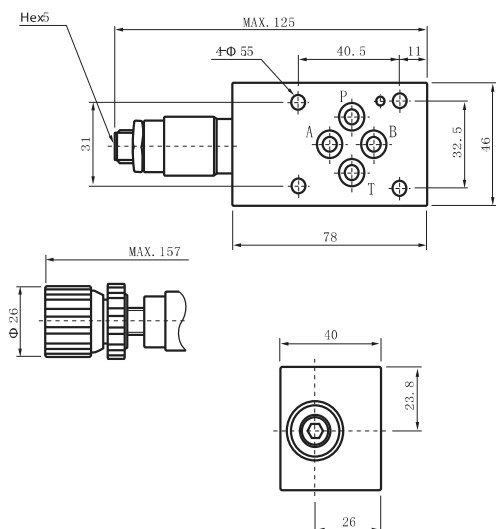
Symbol list



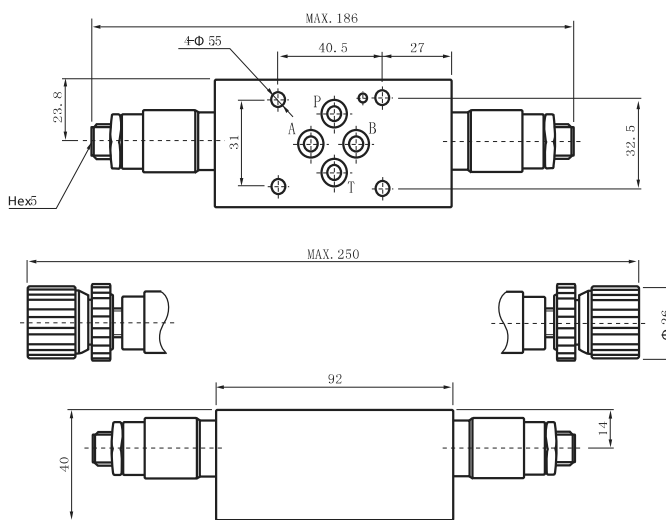
Dimensions

Unit: mm

MRV-02A



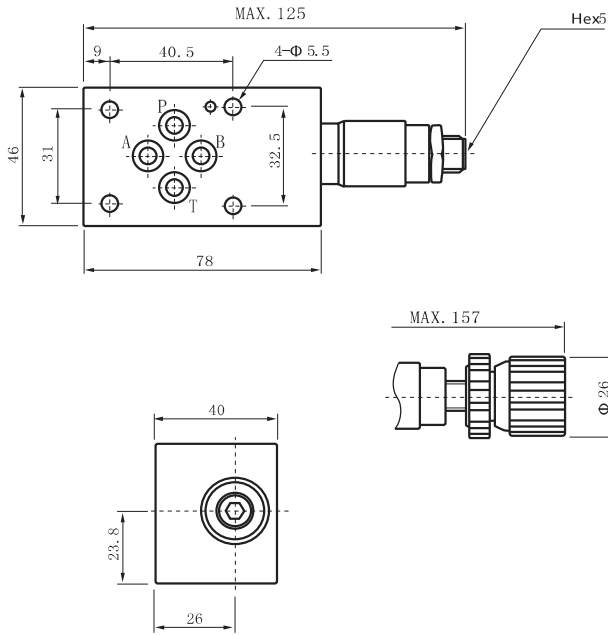
MRV-02C



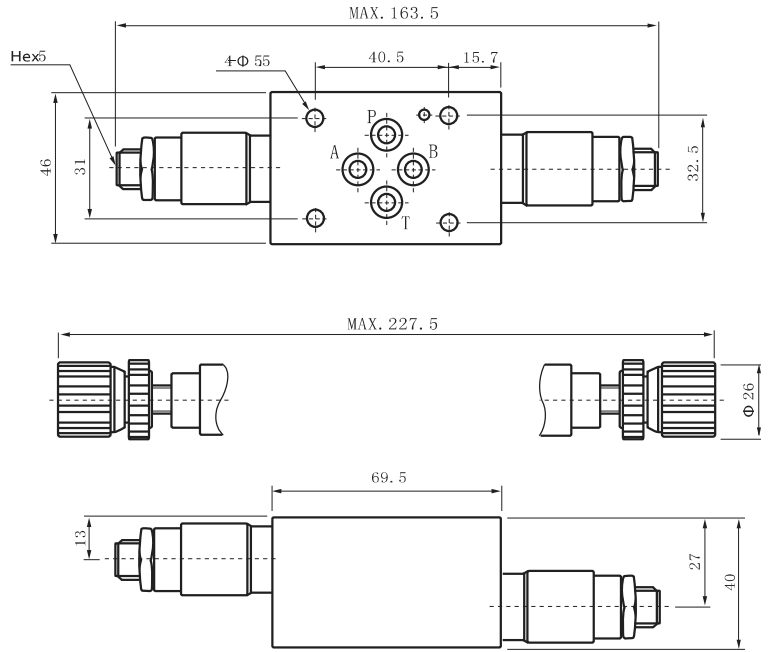
Dimensions

Unit: mm

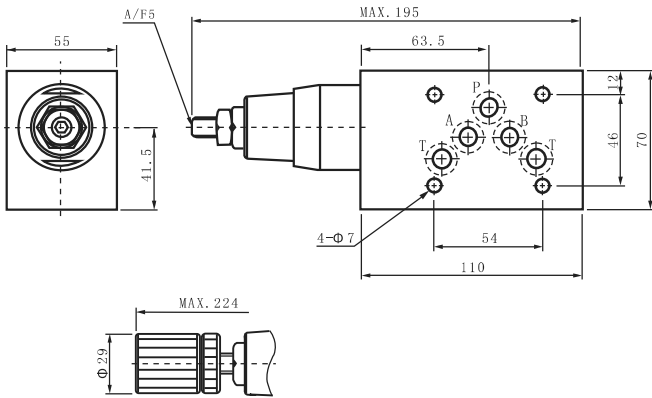
MRV-02B/P



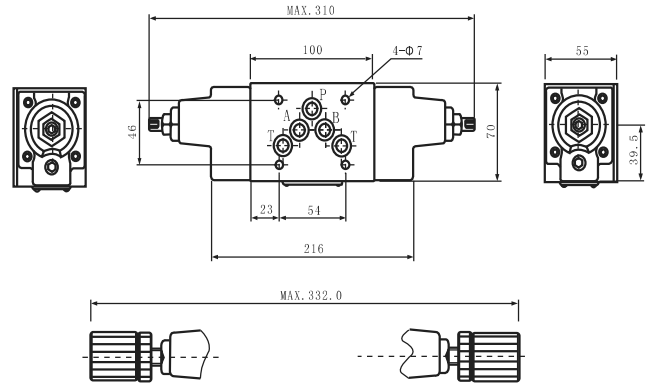
MRV-02D



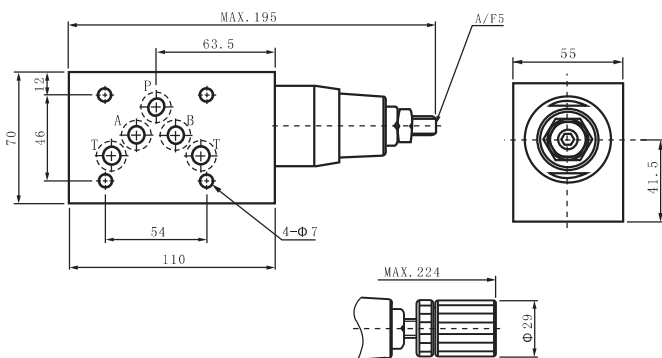
MRV-03A



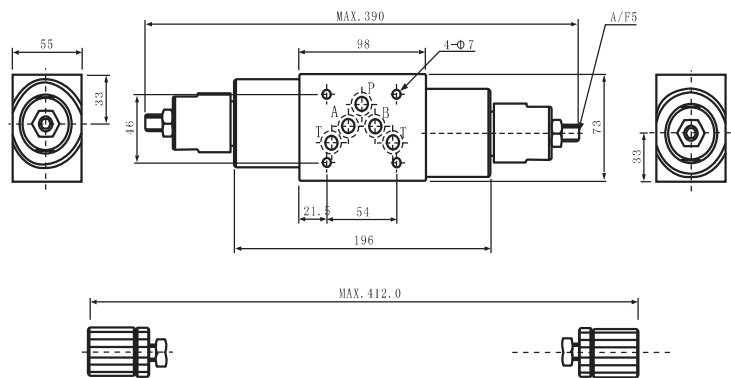
MRV-03C



MRV-03B/P



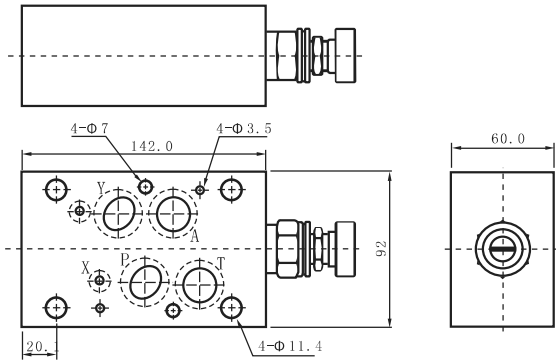
MRV-03D



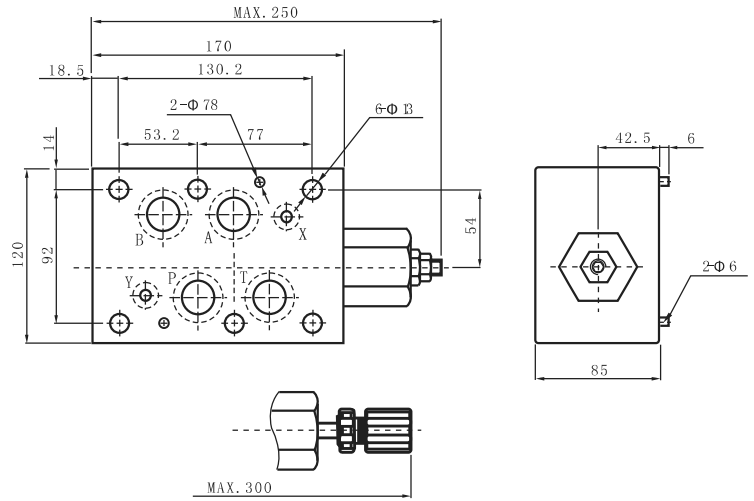
Dimensions

Unit: mm

MRV-04P



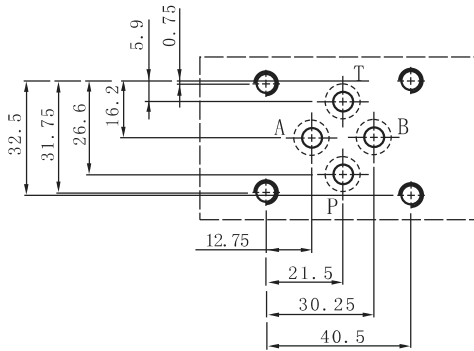
MRV-06P/A/B



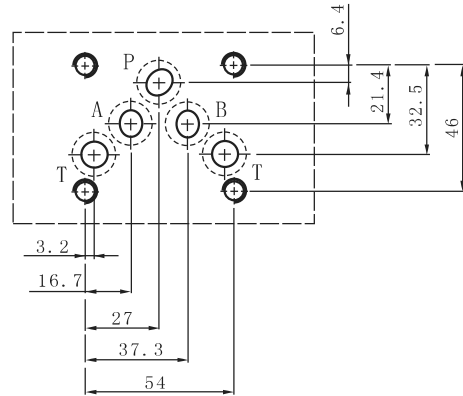
Mounting size

Unit: mm

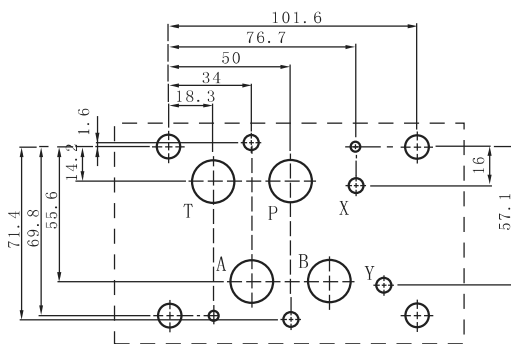
MRV-02



MRV-03



MRV-04



MRV-06

