

MTCV series modular throttle check valves are used to restrict flow in one direction while allowing free-flow in the opposite direction as check valves.



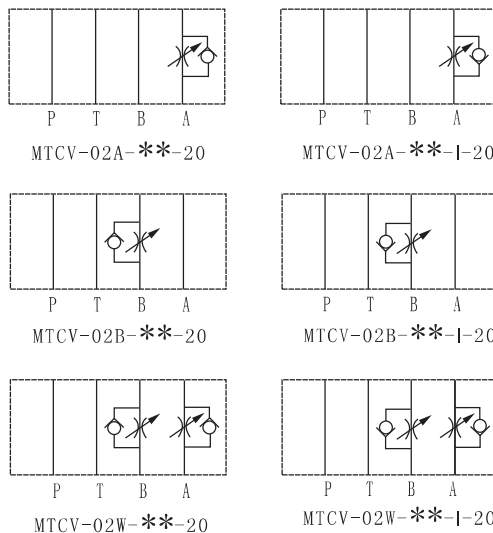
Ordering details

| MTCV | 02 | A | K | I | 20 |
|------------------------------|---|------------------------------------|--|--------------------------------------|-------------|
| Sort | Nominal size | Pilot oil port | Adjustment type | Oil control | Design code |
| Modular throttle check valve | 02:NG6 Cetop3 03:NG10 Cetop5 04:NG16 Cetop7 06:NG22 Cetop8 | A:A port B:B port W:A&B port | No code: Without knob K: With plastic knob | No code: Meter out I: Meter in | 20 |

Technical specification

| Model | MTCV-02 | MTCV-03 | MTCV-04 | MTCV-06 | |
|------------------------|---------|---------|---------|---------|------|
| Max.flow rate (l/min) | 35 | 70 | 300 | 450 | |
| Working pressure (MPa) | 25 | | | | |
| Weight(kgs) | A, B | 1.2 | 2.6 | 5.2 | 12.2 |
| | W | 1.4 | 2.8 | 5.5 | 13 |

Symbol list

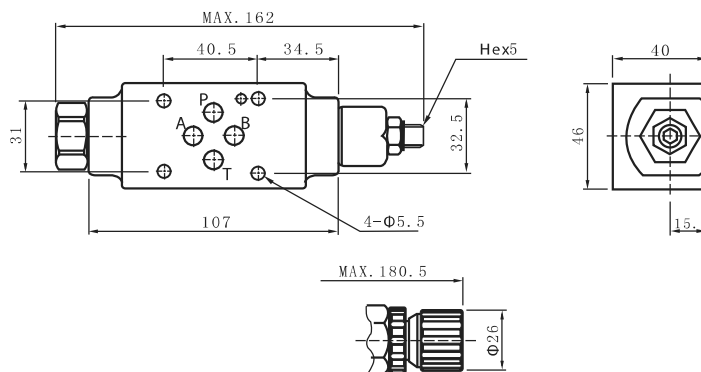
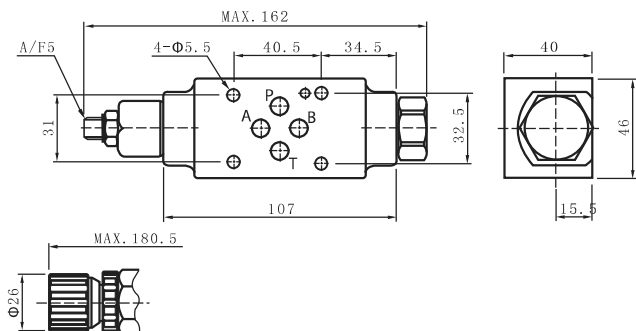


Dimensions

Unit: mm

MTCV-02A

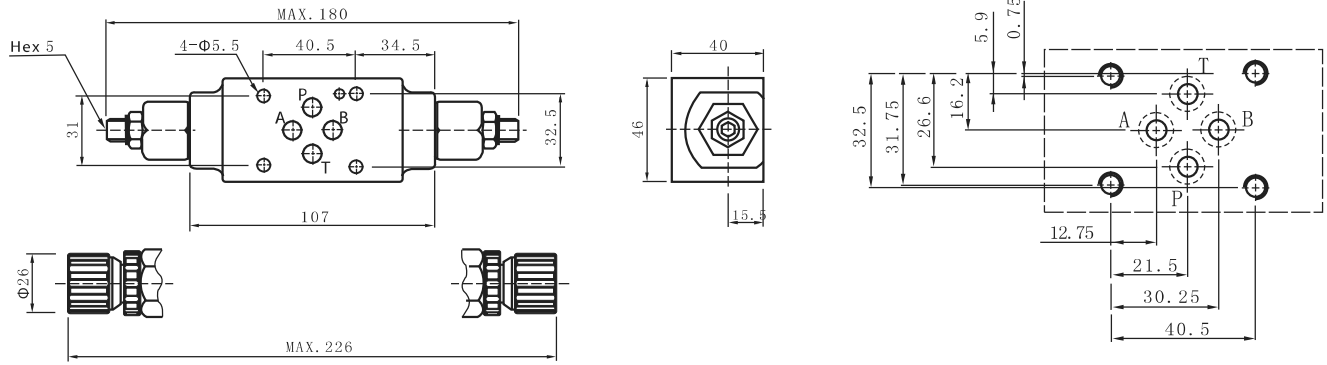
MTCV-02B



Dimensions

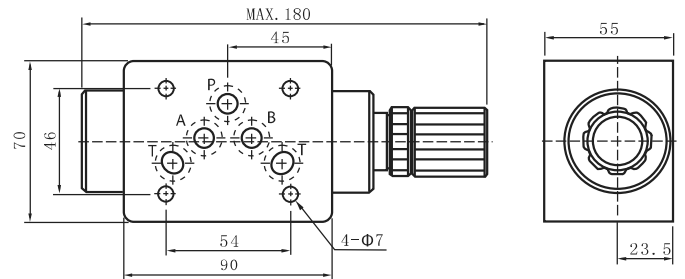
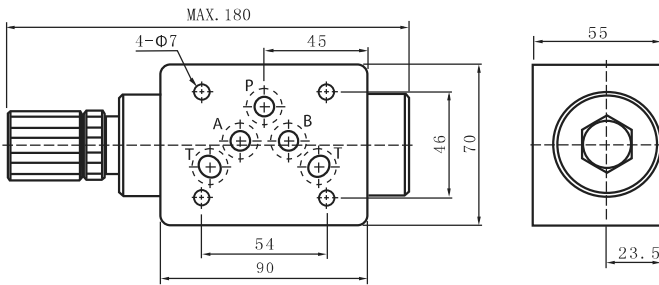
Unit: mm

MTCV-02W

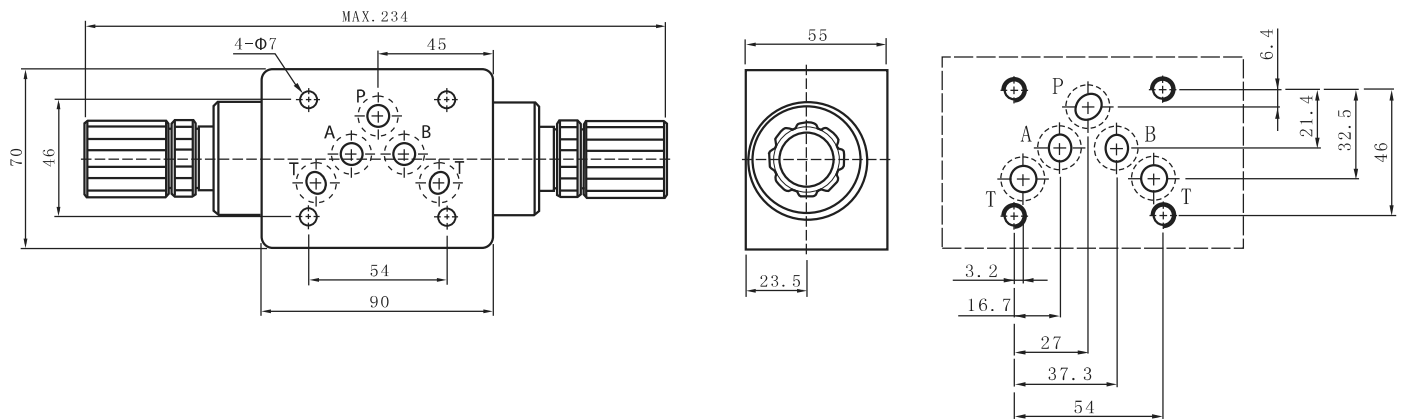


MTCV-03A

MTCV-03B



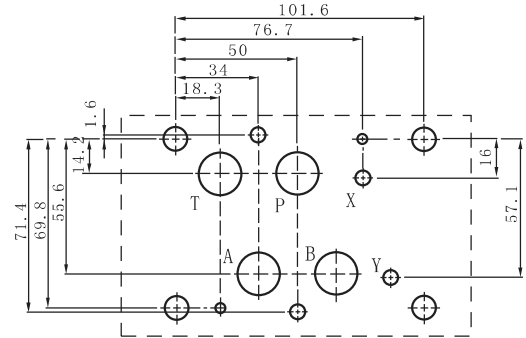
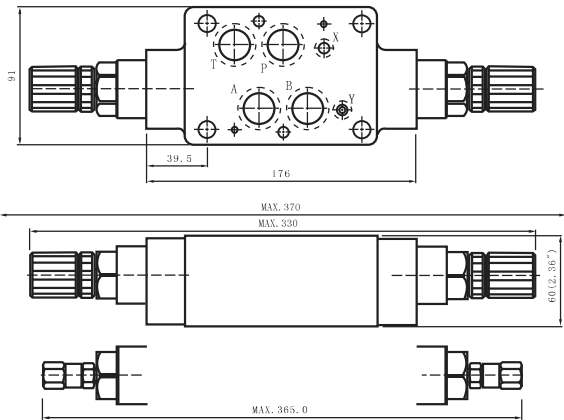
MTCV-02W



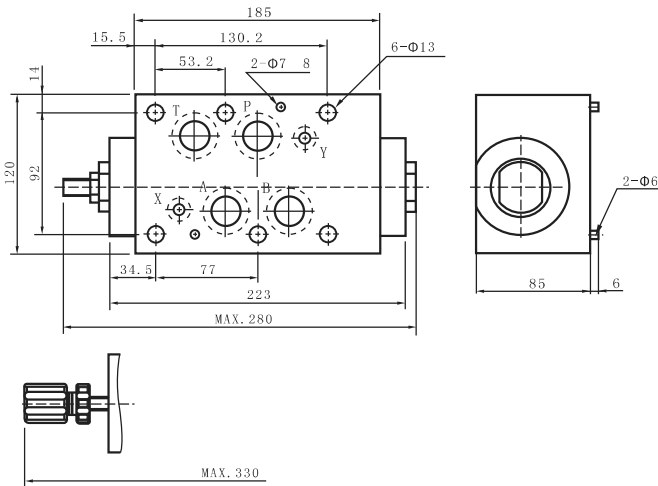
Dimensions

Unit: mm

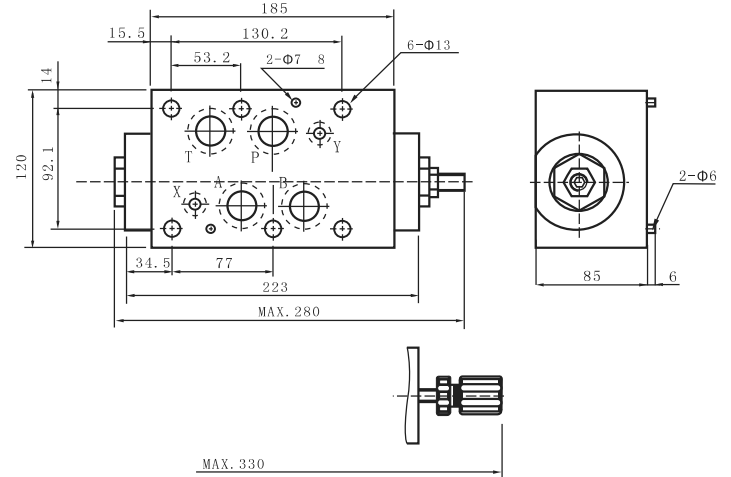
MTCV-04W



MTCV-06A



MTCV-06B



MTCV-06W

