



SRVG series solenoid operated relief valves are can be used to control and unload system pressure and make hydraulic system controlled by two stage or three stage.

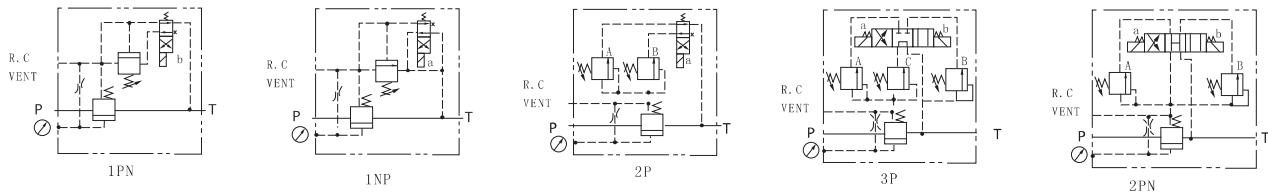
Technical specification

Model		SRVG-03	SRVG-06
Max. flow rate (l/min)		100	200
Working pressure (MPa)		25	
Weight(kgs)	1PN/1NP	7.5	8
	2P	—	10
	2NP/3P	—	12

Ordering details

SRV	G	03	1PN	1	A240	10
Sort	Mounting type	Nominal size	Normal state	Pressure adjustment range	Input voltage	Connector type
Solenoid operated relief valves	Subplate mounting	03:NG10 06:NG20	1PN:Normal open 1NP:Normal closed 2P:Two stage 3P:Three stage 2PN:Two stage normal open	1:2~70bar 2:35~140bar 3:70~250bar	D12:DC12 D24:DC24 A240:AC240 A220:AC220 A110:AC110 R240R:RAC240 R220R:RAC220 R110R:RAC110	10: Wire box with light 20:Plug-in connector with light

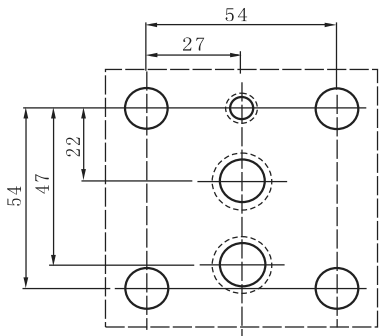
Symbol



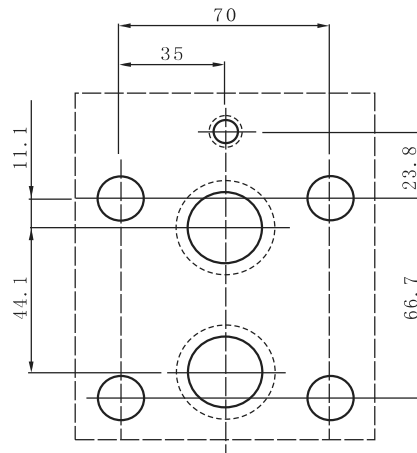
Mounting size

Unit: mm

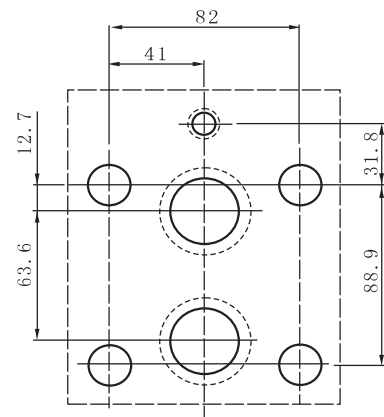
SRVG-03



SRVG-06



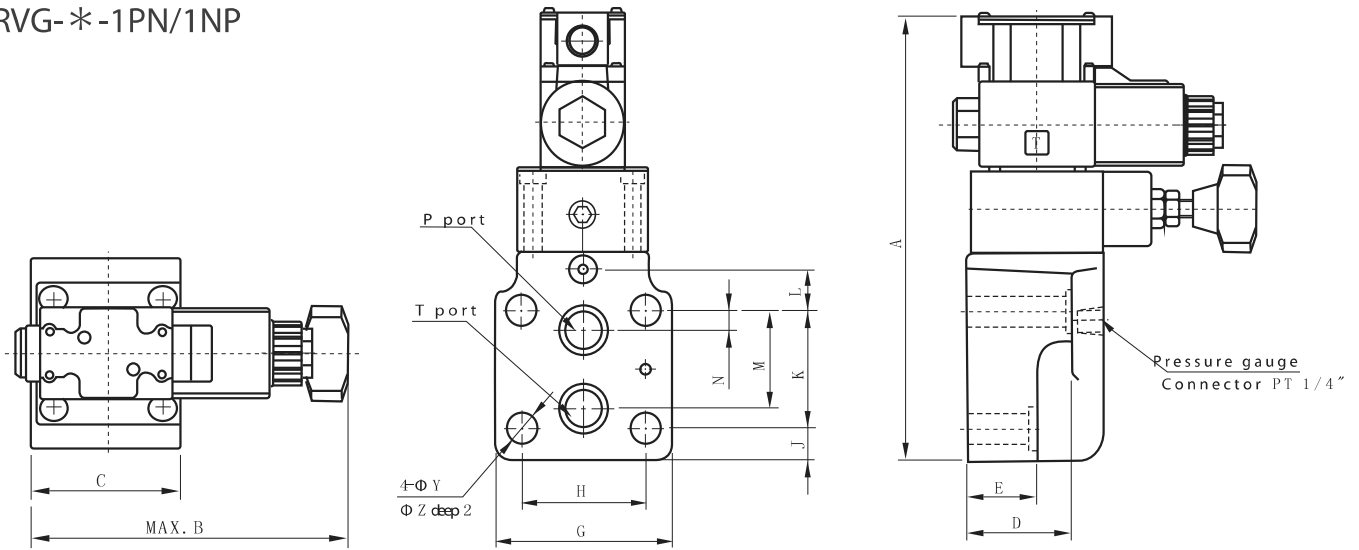
SRVG-10



Dimensions

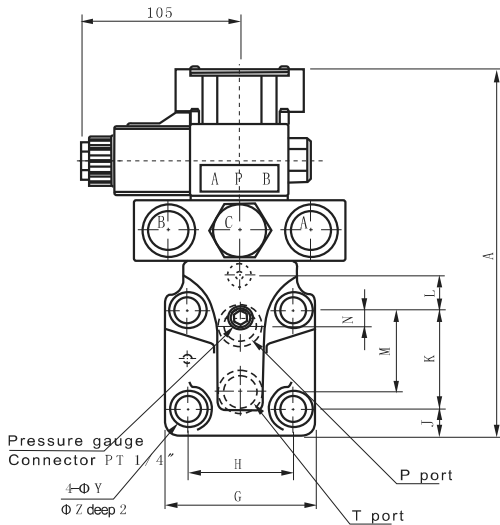
Unit: mm

SRVG-* -1PN/1NP



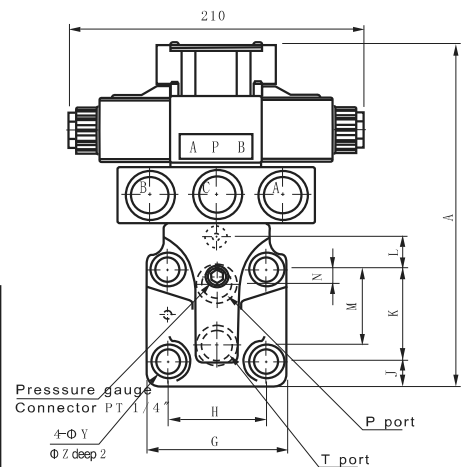
Model	A	B	C	D	E	G	H	J	K	L	M	N	Y	Z
SRV-G03-1PN/1NP-**	228.5	175	78	78	57	82	53.8	21.5	53.8	0	47.5	22	13.5	21
SRV-G06-1PN/1NP-**	254	175	78	60	40	102	70	19	66.7	23.8	55.5	11	17.5	26
SRV-G10-1PN/1NP-**	281	184	87.5	67	47	124	82.6	20	88.9	31.8	76.2	12.7	22	32

SRVG-06/10-2P



Model	A	G	H	J	K	L	M	N	Y	Z
SRV-G06-2P-**	244	104	70	16.9	66.7	23.8	55.5	11	17.5	26
SRV-G10-2P-**	281	124	82.6	18	88.9	31.8	76.2	12.7	21.5	32

SRVG-06/10-2PN/3P



Model	A	G	H	J	K	L	M	N	Y	Z
SRV-G06-2PN/3P-**	244	104	70	16.9	66.7	23.8	55.5	11	17.5	26
SRV-G10-2PN/3P-**	281	124	82.6	18	88.9	31.8	76.2	12.7	21.5	32