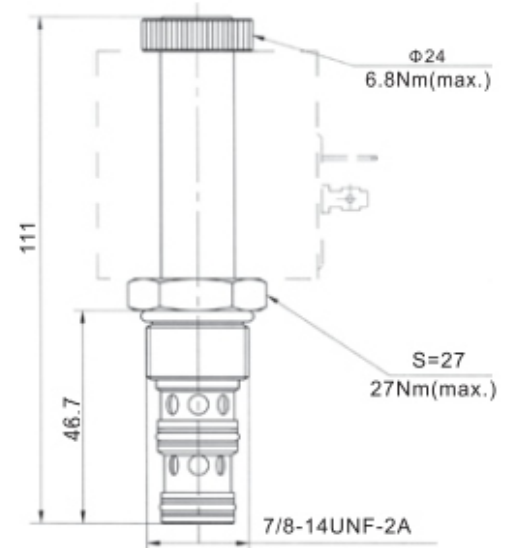


Three-way, two-position

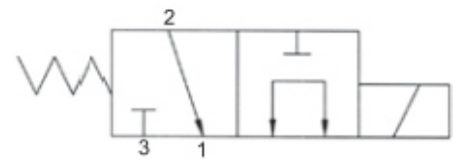
HLSV-08-231-00



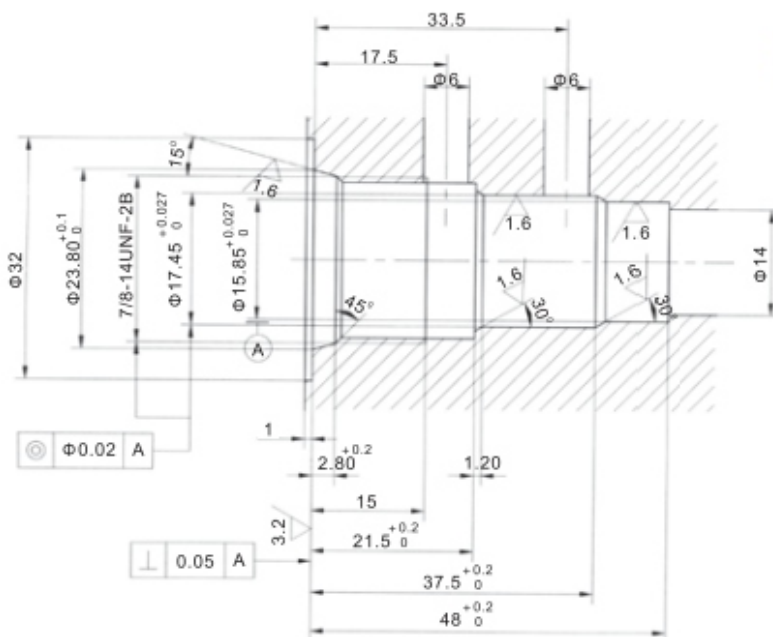
Technical specification

- Max. working pressure: 210bar
- Max. flow rate: See pressure drop-flow curve
- Internal leakage:  $\leq 80\text{ml/min}$
- Voltage: 12VDC, 24VDC, 110VAC, 220VAC
- Minimum working voltage: 90% of working voltage
- Oil clearness: 25u m or better
- Filter net precision: 150meshes/cm<sup>2</sup>

Symbol



Cavity dimensions



Pressure drop-flow curve

32 cST Oil/45°C  
2-1 —  
3-1 - -

