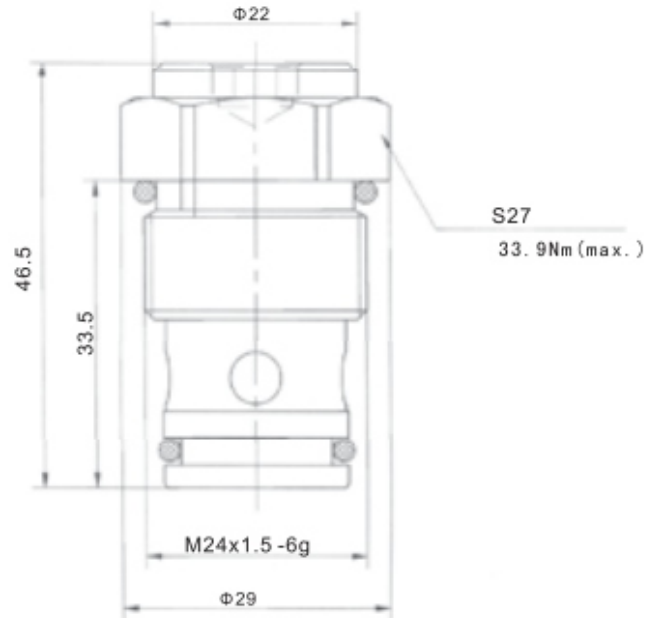


LCV10-01-00



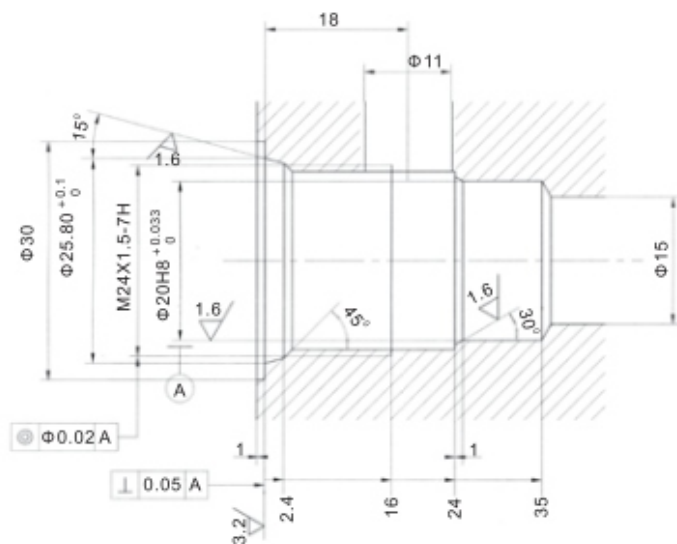
Technical specification

- Max. working pressure: 315bar
- Max. flow rate: See pressure drop-flow curve
- Internal leakage: ≤ 5 drops/min
- Cracking pressure: 1.5bar
- Operating temperature: -30~+110°C
- Oil cleanliness: 25u m or better

Symbol



Cavity dimensions



Pressure drop-flow curve

32 cST Oil/45°C
2 — 1 —

